

KUSTOS ULTRA BT A40

RANGE

The BFT Kustos Ultra BT UL linear drive operator is a premium motor for swing gates up to 16 feet and 550 Lbs which are mounted to posts.



The advantage of the system is the completely covered screw drive with magnetic stops in the same enclosed housing. This ensures maximum protection against external agents (water, dust, dirt, etc.) as well as a total protection for people, preventing any type of access to the moving parts.

KUSTOS SERIES

KR935317 00004- SE Kustos Thalia UL SE – Single Kit
KLEBR93531704- LEB Kustos Thalia UL Large Enclosure-
Battery Back Up- Single Kit
KR935317 00005- SE Kustos Thalia UL SE- Dual Kit
KLEBR93531705- LEB Kustos Thalia UL Large Enclosure –
Battery Back Up- Dual Kit

Made In Italy - 2 Year Warranty

Thalia UL SE

-10" x 12" Hinged fiberglass enclosure
-UL 2016 compliant
-UL Alarm and Reset



Thalia UL LEB

-Large 12" x 14" Hinged fiberglass enclosure
-UL 2016 compliant
-Includes: Battery backup with (2) 12V, 9 AH batteries, 115V outlets for accessories
-UL Alarm and Reset



TECHNICAL FEATURES

Control unit	Thalia UL
Board power supply	115 V
Operator type	electromechanically operated swing gates
Power supply	24 V
Power input	40 W
Useful rod stroke	14"
Maximum angle	126 °
Cycle time	17 sec
Type of limit switch	magnetic
Locking	mechanical
Release	yes
Frequency of use	intensive
Environmental conditions	from -4 °F to 131 °F
Protection rating	IP44
Battery Back-up	Optional

SMART TECHNOLOGY

Control unit compatible with the EElink protocol.



Be ahead

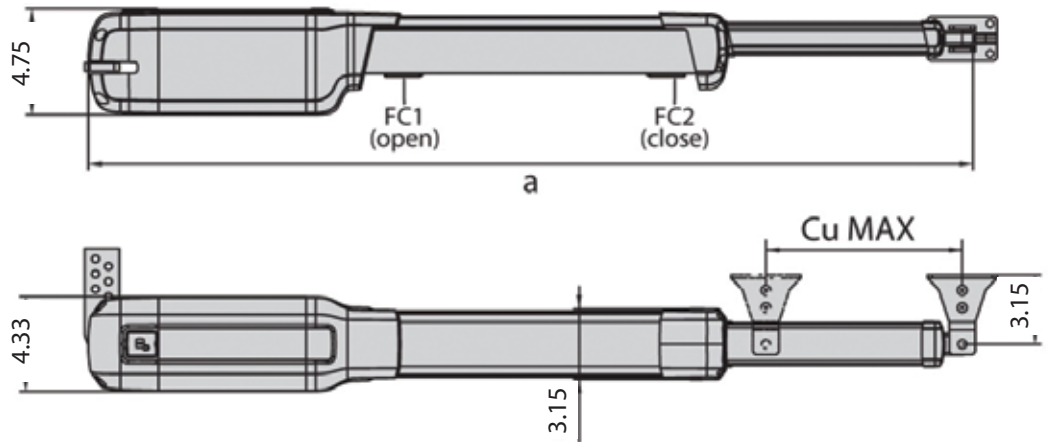
BFT Americas, Inc.
6100 Broken Sound Parkway N.W.
Boca Raton, FL 33487



T: +1 561 995 8155
T: US. 1877 995 8155
→ info.bft@bft-usa.com

KUSTOS ULTRA BT A40

DIMENSIONS



ACCESSORIES



CALL BOX PRIME
3G Cellular access control system with 7 day time clock



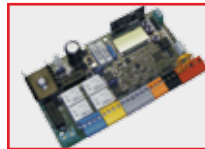
CELL VIDEO KP
WiFi video and audio app based system with 1000 memory keypad



P125005 - BT BAT Optional
24 V dc battery backup system for PHOBOS BT, PHOBOS BT L, IGEA BT it includes a charger board that activates the batteries when power is off and charges the batteries when power is on.



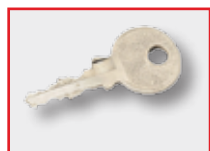
P121024 Q-B-TOUCH
Digital keypad with 10 channels and 100 combinations. Backlit



D111881 00001 THALIA UL BOARD ONLY



KHLKIT HOMELINK KIT
HomeLink Compatible receiver and transmitter for installing HomeLink with BFT Zara



I100054 10010 - BAG OF 10 manual release keys



D111904 Mitto 2 Transmitter:
12V Two channel 433Mhz rolling code remote control



D111906 - Mitto 4 Transmitter
Four channel Rolling code remote control



Be ahead

BFT Americas, Inc.
6100 Broken Sound Parkway N.W.
Boca Raton, FL 33487

T: +1 561 995 8155
T: US. 1877 995 8155
→ info.bft@bft-usa.com